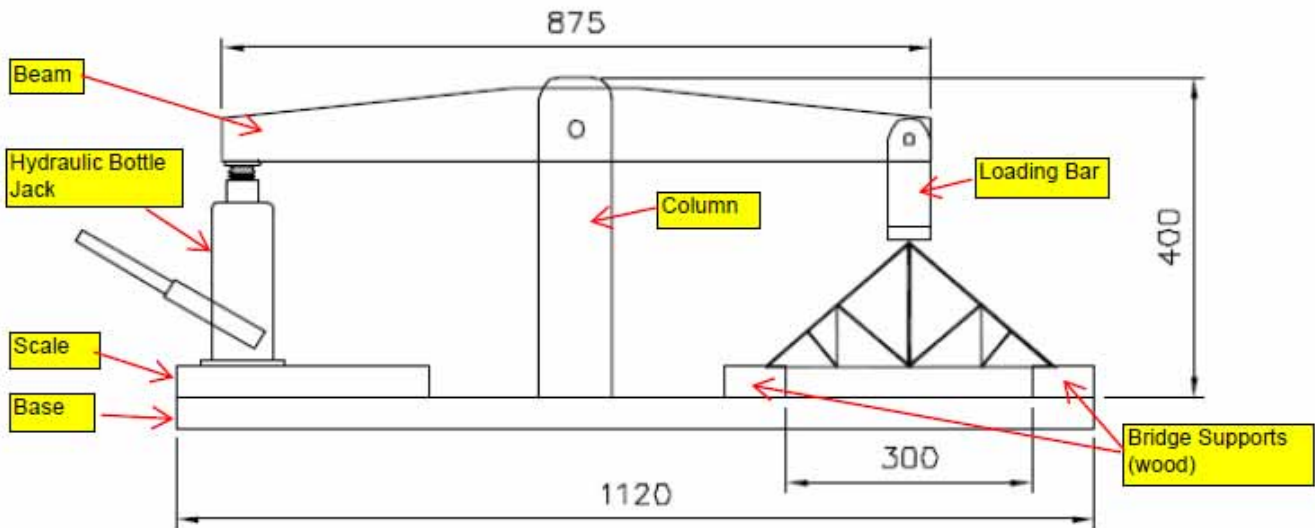




## Build Your Own Spaghetti Bridge Test Unit



This wood frame test unit uses a hydraulic jack and bathroom scale (placed under jack) to test bridges. Plans for this do-it-yourself unit are shown below. Teachers or others who wish to hold a Spaghetti Bridge competition may build the above pictured test unit. To obtain the weight the bridges will support, you use a bathroom scale positioned under the hydraulic jack. The scale will read the pressure the bridge is supporting until the bridge breaks.



### MATERIALS

Base 1- 2"x6" 1120mm Long  
Column 2- 2"x4" 400mm Long  
Beam 1- 2"x4" 875mm Long  
Loading Bar 1" x 3/4" Plywood 300mm  
2- 5" x 3/8" Diameter Bolt c/w nuts  
12- 3.5" Long Deck Screws  
Bathroom Scale  
Hydraulic Bottle Jack

BUILD YOUR OWN  
SPAGHETTI BRIDGE TEST FRAME

When testing spaghetti bridges to destruction, please ensure that those near the testing equipment are safe by having them wear safety glasses.